

1 PUBLIC OPEN SPACE A
SCALE: 1:100

2 PUBLIC OPEN SPACE B
SCALE: 1:100

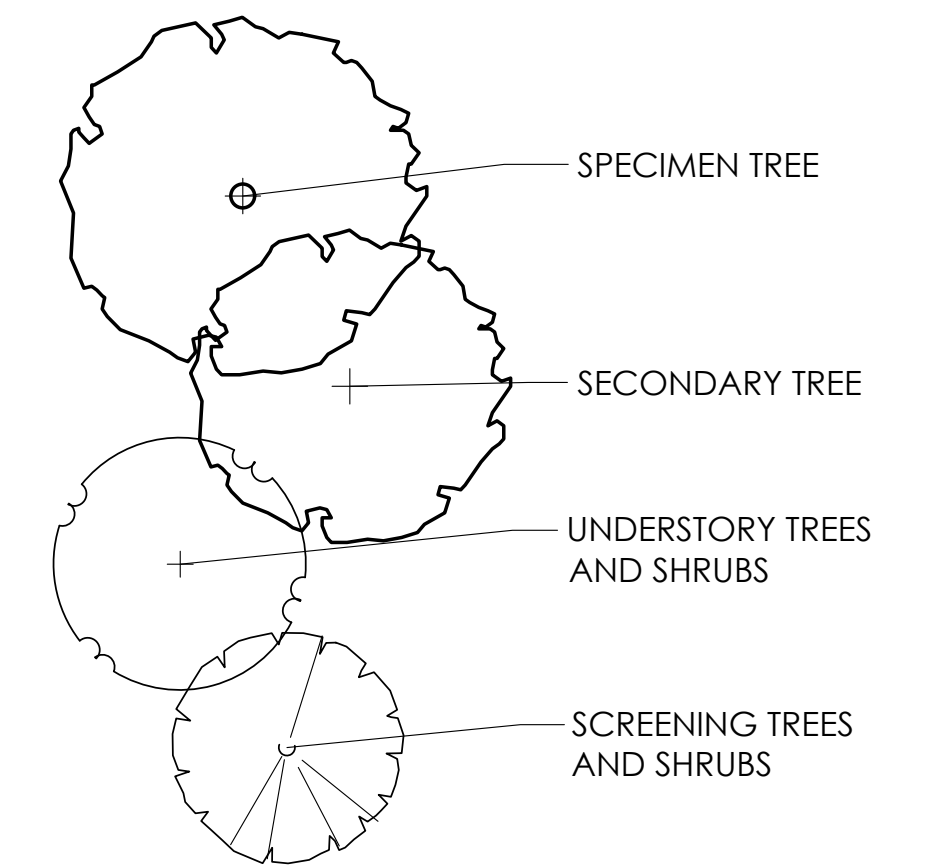
PUBLIC OPEN SPACE PLANT LIST

(CONTRACTOR RESPONSIBLE FOR ALL PLANTS SHOWN ON PLAN)

QTY	KEY	BOTANICAL NAME	COMMON NAME	SIZE	COND.	REMARKS
DECIDUOUS TREES - SPECIMEN						
	ACS2	ACER SACCHARUM	SUGAR MAPLE	2.5" CAL.	B&B	
	GYE2	GYMNOCLADUS DIOICUS 'ESPRESSO-JFS'	ESPRESSO KENTUCKY COFFEE TREE	2.5" CAL.	B&B	
	LIR2	LIRODENDRON TULIPIFERA	TULIP TREE	2.5" CAL.	B&B	
	LIQ2	LIQUIDAMBAR STYRACIFLUA	SWEETGUM	2.5" CAL.	B&B	
	PLA2	PLATANUS X ACERIFOLIA 'BLOODGOOD'	BLOODGOOD LONDON PLANETREE	2.5" CAL.	B&B	
	QBI2	QUERCUS BICOLOR	SWAMP WHITE OAK	2.5" CAL.	B&B	
	QUE2	QUERCUS RUBRA	RED OAK	2.5" CAL.	B&B	
	QSH2	QUERCUS SHUMARDII	SHUMARD OAK	2.5" CAL.	B&B	
	TAX2	TAXODIUM DISTICHUM	COMMON BALDCYPRESS	2.5" CAL.	B&B	
	TIA2	TILIA AMERICANA	AMERICAN BASSWOOD	2.5" CAL.	B&B	
DECIDUOUS TREES - SECONDARY						
	ARB1	ACER RUBRUM 'BRANDYWINE'	BRANDYWINE RED MAPLE	1.5" CAL.	B&B	
	AEG1	AESCULUS GLABRA	OHIO BUCKEYE	1.5" CAL.	B&B	
	APA1	AESCULUS PAVIA	RED BUCKEYE	1.5" CAL.	B&B	
	BET1	BETULA NIGRA 'CULLY'	HERITAGE RIVER BIRCH	1.5" CAL.	B&B	
	CAC1	CARPINUS CAROLINIANA	AMERICAN HORNBEAM	1.5" CAL.	B&B	
	CLK1	CLADRASIS KENTUCKEAE 'LUTEA'	AMERICAN YELLOWWOOD	1.5" CAL.	B&B	
	GLT1	GLEDITSIA TRIACANTHOS VAR. INERMIS 'SKYCOLE'	SKYLINE HONEY LOCUST	1.5" CAL.	B&B	
	NYS1	NYSSA SYLVATICA	BLACKGUM	1.5" CAL.	B&B	
EVERGREEN TREES - SCREENING						
	JIV8	JUNIPERUS VIRGINIANA	EASTERN REDCEDAR	8' HGT.	B&B	
	PA8	PICEA ABIES	NORWAY SPRUCE	8' HGT.	B&B	
	PM8	PICEA MEYERI	MEYER SPRUCE	8' HGT.	B&B	
	PO8	PICEA OMORIKA	SERBIAN SPRUCE	8' HGT.	B&B	
	PIN8	PINUS STROBUS	WHITE PINE	8' HGT.	B&B	
	THG8	THUJA STANDISHII X PLICATA 'GREEN GIANT'	GREEN GIANT ARBORVITAE	8' HGT.	B&B	
ORNAMENTAL TREES - UNDERSTORY						
	AME6	AMELANCHIER CANADENSIS 'GLENIFORM'	RAINBOW PILLAR SERVICEBERRY	6' HGT.	B&B	MULTI-STEM
	COR6	CORNUS MAS 'GOLDEN GLORY'	GOLDEN GLORY CORNELIAN DOGWOOD	6' HGT.	B&B	
	CRA6	CRATAEGUS VIRIDIS 'WINTER KING'	WINTER KING HAWTHORN	6' HGT.	B&B	
	MAC6	MAGNOLIA ACUMINATA	CUCUMBERTREE	6' HGT.	B&B	
	MAG6	MAGNOLIA VIRGINIANA	SWEETBAY MAGNOLIA	6' HGT.	B&B	
	SYR6	SYRINGA RETICULATA 'IVORY SILK'	IVORY SILK TREE LILAC	6' HGT.	B&B	

PLANT KEY TYPICALS FOR PUBLIC OPEN SPACE

SEE PLANT LIST FOR SPECIFIC PLANT SPECIES



PUBLIC OPEN SPACE A PLANT MIX

SPECIES CAN BE SUBSTITUTED WITH OTHERS ON LIST IF UNAVAILABLE

TOTAL	CATEGORY	EVEN MIX OF SPECIES
160	SPECIMEN	ACS2; GYE2; LIR2; QUE2; TIA2
76	SECONDARY	BET1; CLK1; GLT1; NYS1
67	UNDERSTORY	AME6; COR6; MAG6
44	SCREENING	PA8; JIV8; THG8

PUBLIC OPEN SPACE B PLANT MIX

SPECIES CAN BE SUBSTITUTED WITH OTHERS ON LIST IF UNAVAILABLE

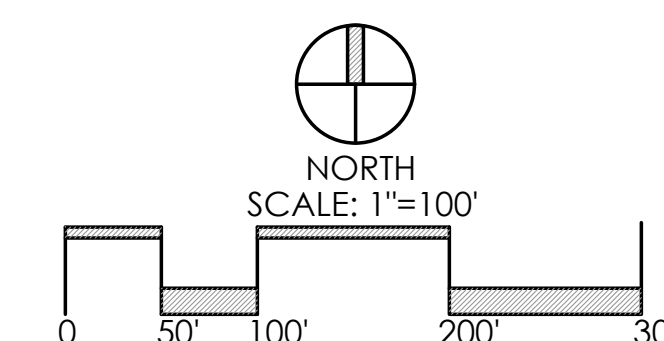
TOTAL	CATEGORY	EVEN MIX OF SPECIES
176	SPECIMEN	LIQ2; PLA2; QBI2; QSH2; TAX2
176	SECONDARY	AEG1; ARB1; APA1; CAC1
101	UNDERSTORY	CRA6; MAC6; SYR6
40	SCREENING	PM8; PO8; PIN8; THG8

PUBLIC OPEN SPACE LANDSCAPE PLAN

EXHIBIT D-4

HOLLYBROOK

PREPARED FOR KIRAN BASIREDDY
DATE: 5.20.24



Faris Planning & Design

LAND PLANNING LANDSCAPE ARCHITECTURE
4876 Cemetery Road Hilliard, OH 43026
p. (614) 487-1964 www.farisplanninganddesign.com